

# *Mini Arcade DIY kit for Raspberry Pi*

*(cable and socket assignment)*

*by*

*H. Wendt*

Rev.	Date	Description
A	2013-12-17	First release
B	2014-01-21	Additional informations - Added Fig.3 and Fig.4
C	2014-02-06	Some changes for PCB version 1.1 - Fig.1 and Fig.2 changed - Tab. 1 changed (black wire to GND) - Tab. 2 deleted - former Fig.3 deleted
D	2015-10-19	Some changes for PCB version 1.2 - Fig.1 and Fig.2 changed

Additional Informations for Mini Arcade DIY kit – Rev D

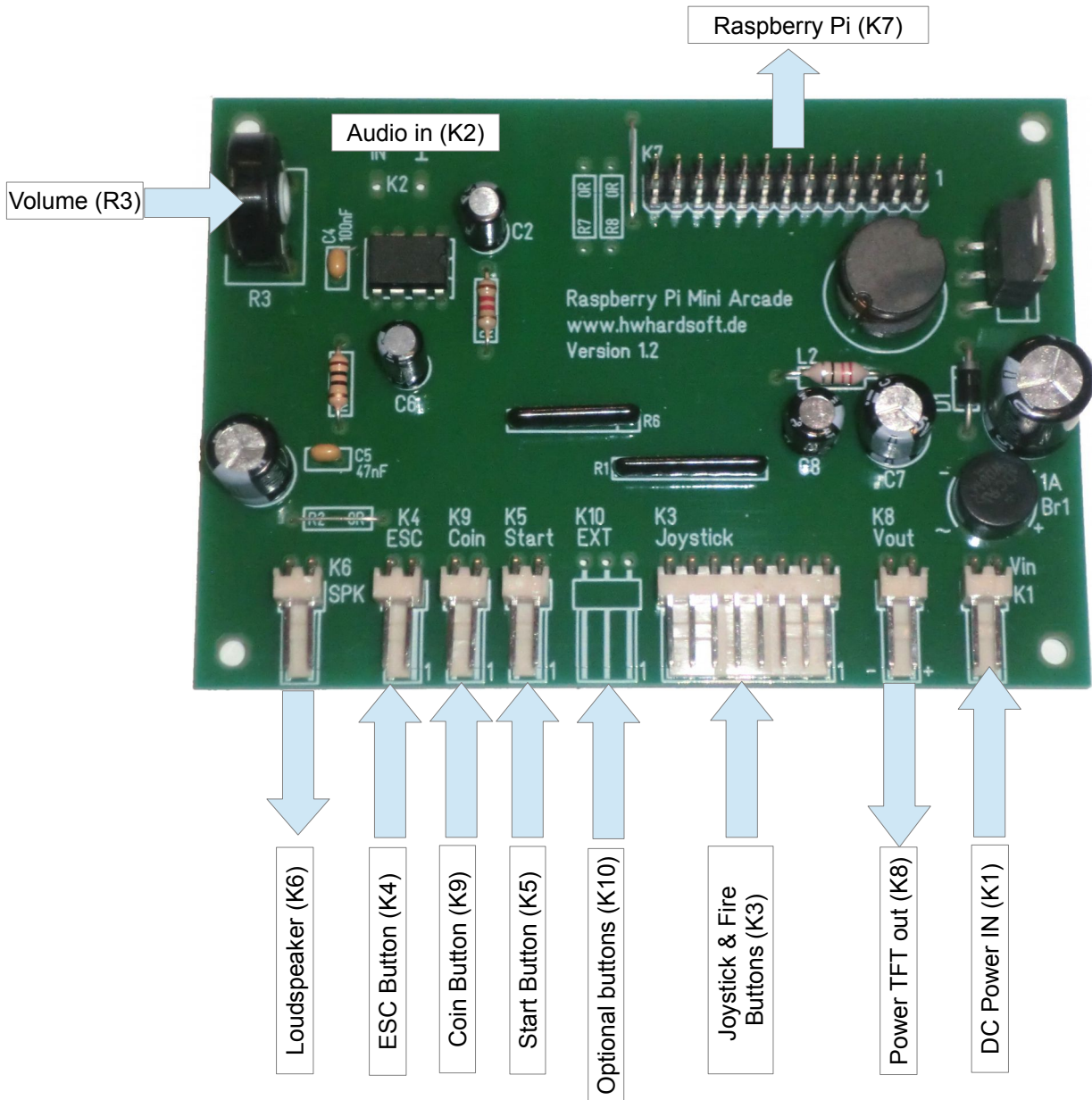


Fig. 1: Socket assignment PiCab

## Additional Informations for Mini Arcade DIY kit – Rev D

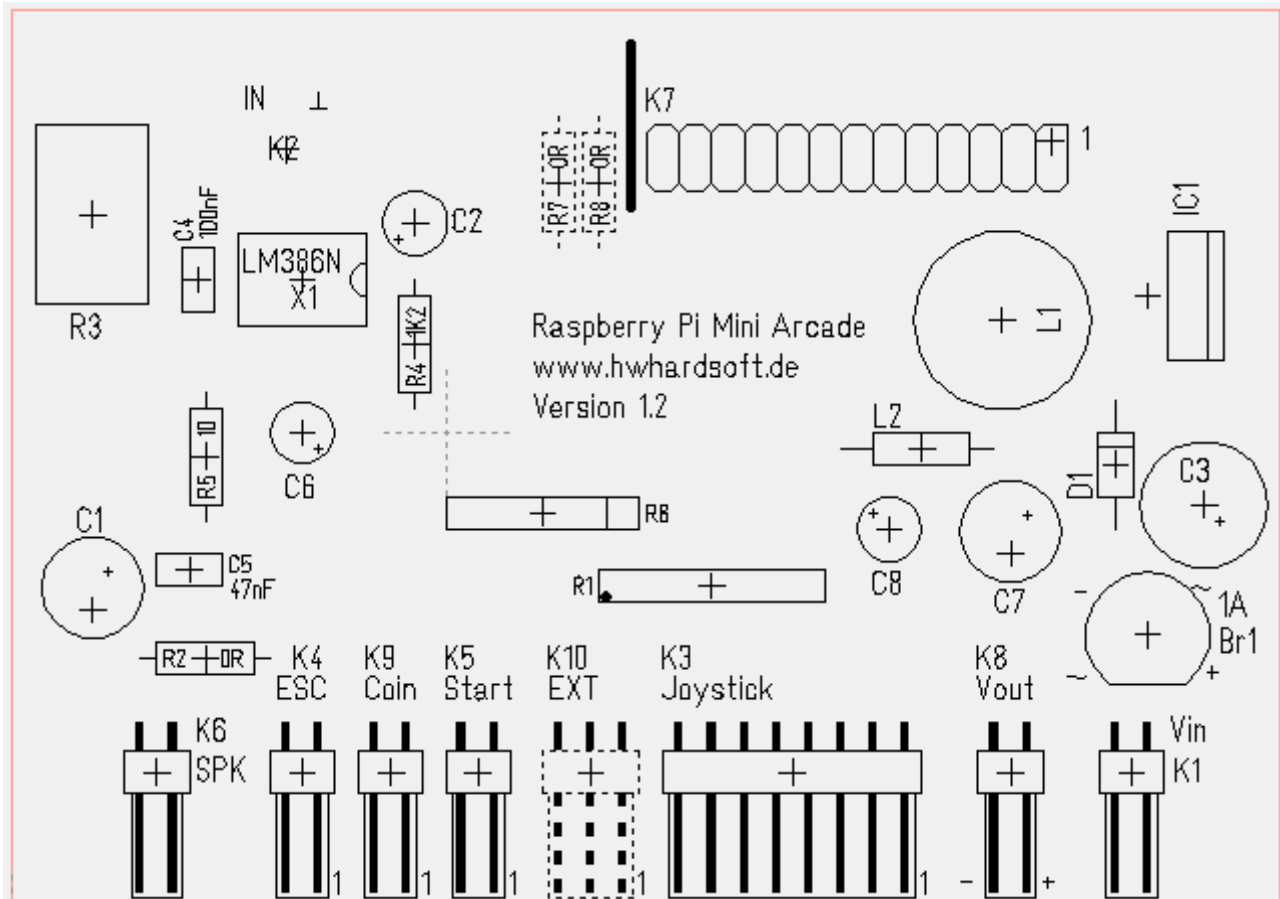
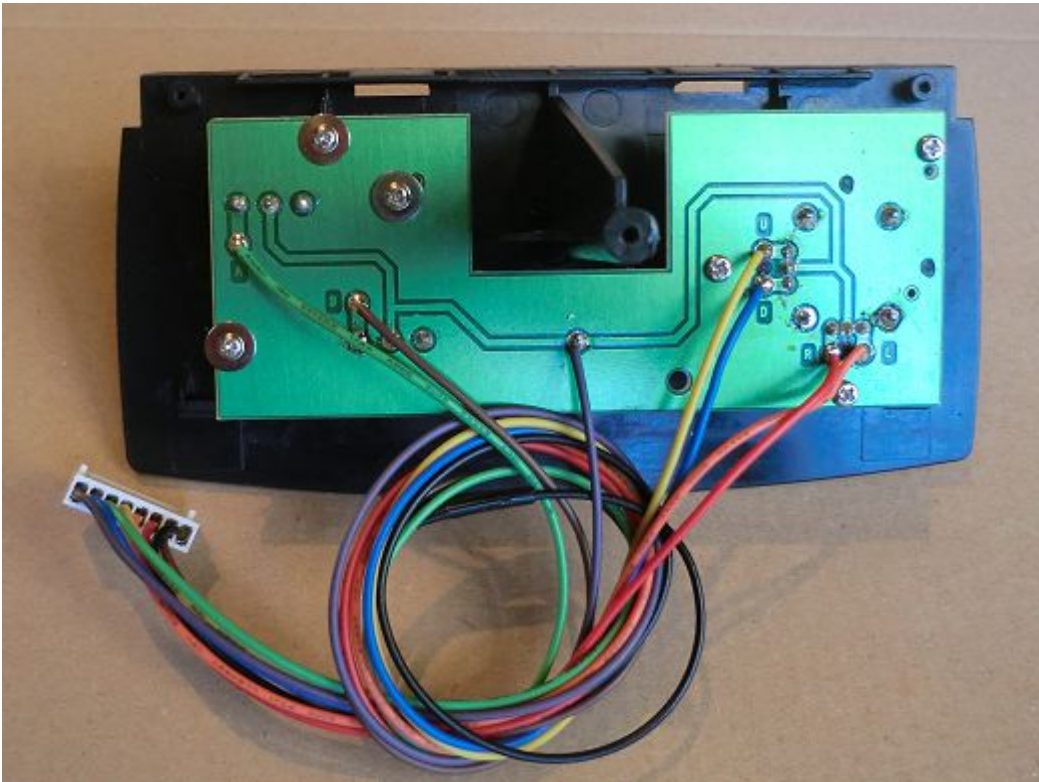


Fig. 2: Placement PiCab PCB

Pin	Color	Description
1	purple	GND
2	blue	Down button
3	green	Fire button
4	yellow	Up button
5	orange	Left button
6	red	Right button
7	brown	Bomb button
8	black	GND

Tab. 1: Cable assignment K3

Additional Informations for Mini Arcade DIY kit – Rev D



*Fig. 3: Connection of joystick pcb with K3*