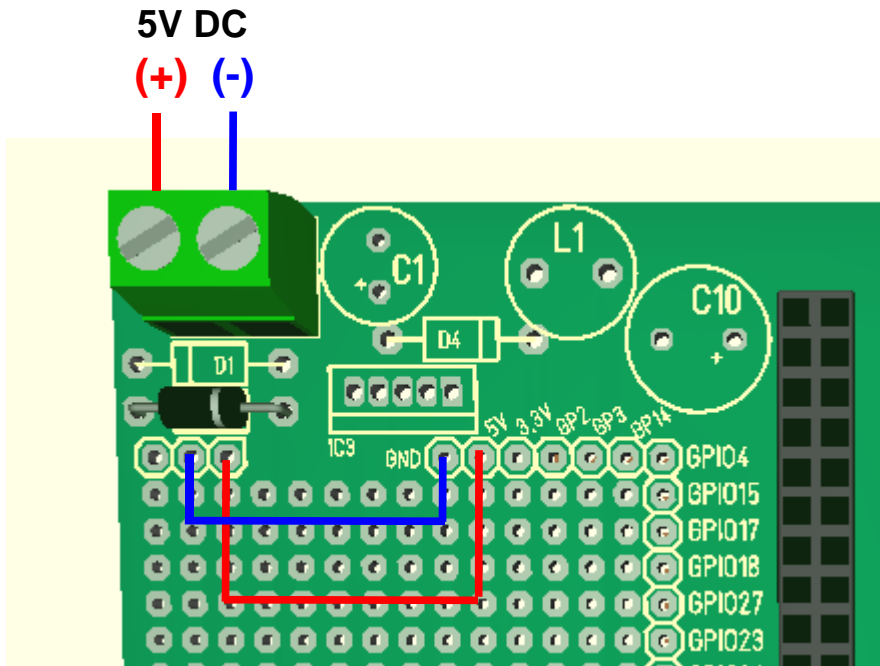


RaspiBox Open Plus

Application Note

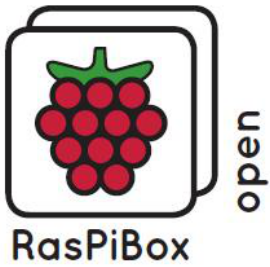
3 ways to power a Raspberry Pi with RasPiBox

1 External 5V DC Power Supply



Pls note: We offer a 5V/2.4A din rail power supply unit in our webstore:





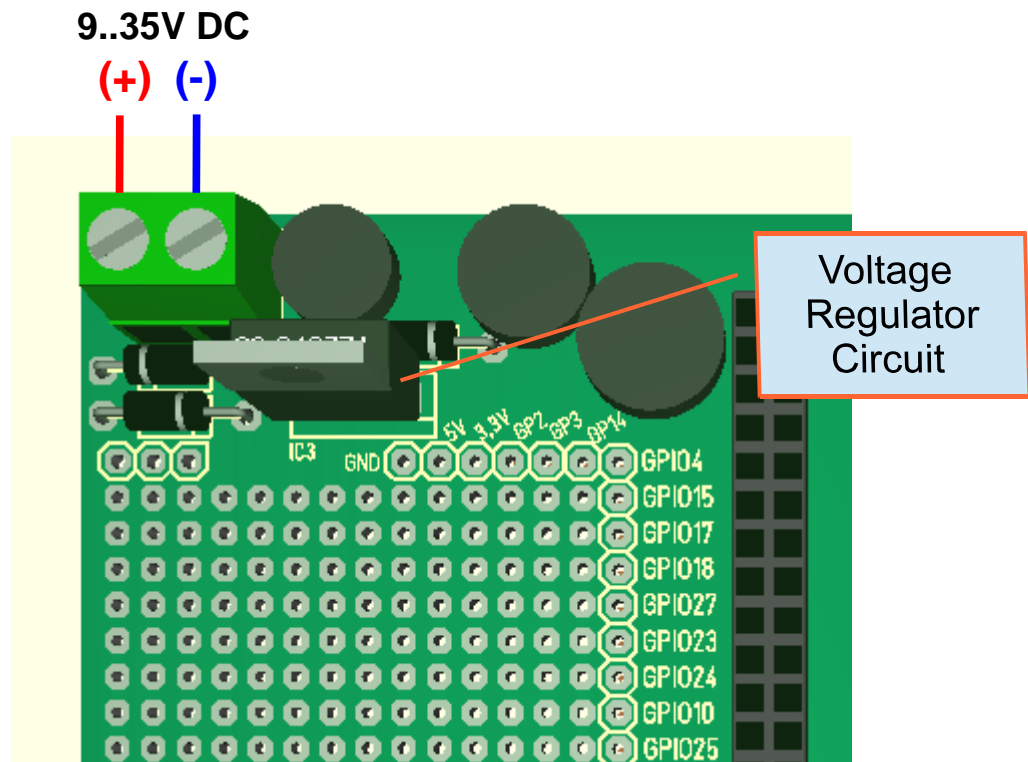
RaspiBox Open Plus

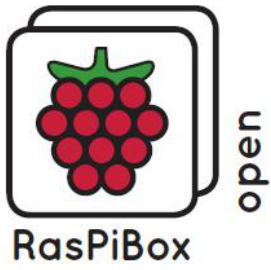
Application Note

3 ways to power a Raspberry Pi with RasPiBox

2 Internal voltage regulator (recommend)

The RasPiBox pcb contains a circuit for a 5V / 1.8A voltage regulator. You can supply the Raspberry Pi and your own circuit with this voltage regulator.





RaspiBox Open Plus

Application Note

3 ways to power a Raspberry Pi with RasPiBox

3 voltage regulator module

If you want an integrated solution with more as 1.8A output current, you can try our [5V/3A voltage regulator module](#).

