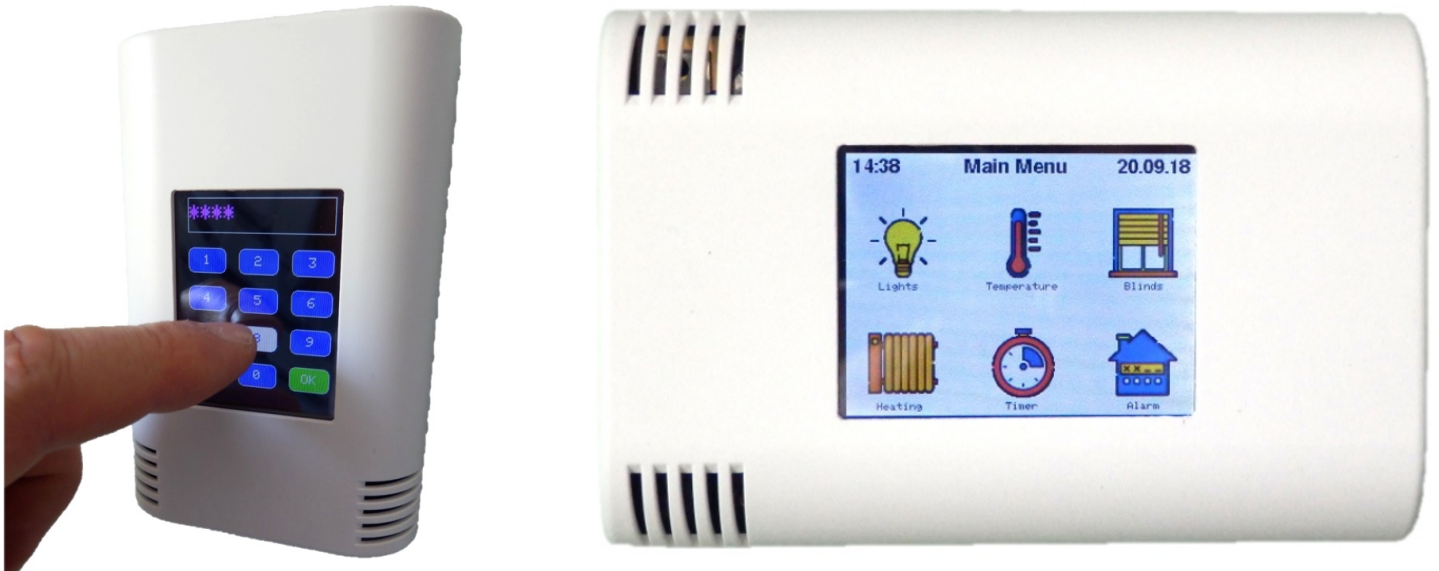


# ArduiTouch ESP

## Top wall enclosure with touchscreen for ESP32 & ESP8266

---



### Features enclosure and pcb:

- top wall mounting enclosure
- 2,4 inch (6,14 cm) tft screen with 320 x 240 pixel resolution
- SPI display controller ILI9341
- Resistive touch with SPI touch controller XPT2046
- Integrated 5V/1.4A voltage regulator (Vin 9...35V DC)
- Integrated prototyping area
- 6-pin removable terminal block for prototyping area & power supply
- Marked and connected GPIO & power pins beside the proto area
- Integrated piezo beeper
- Plug-in positions for Wemos D1 Mini, NodeMCU Amica V2, NodeMCU ESP32
- Vented cover to allow through air flow
- Exchangeable transparent frontplate (grey frontplate as option)

# ArduiTouch ESP

## Top wall enclosure with touchscreen for ESP32 & ESP8266

### Enclosure:

- Outside dimensions: 120mm x 80mm x 35mm (W x H x D)
- Breadboard area: 43mm x 39mm (W x H)
- Material: ABS
- Finish top shell: white
- Finish bottom shell: white

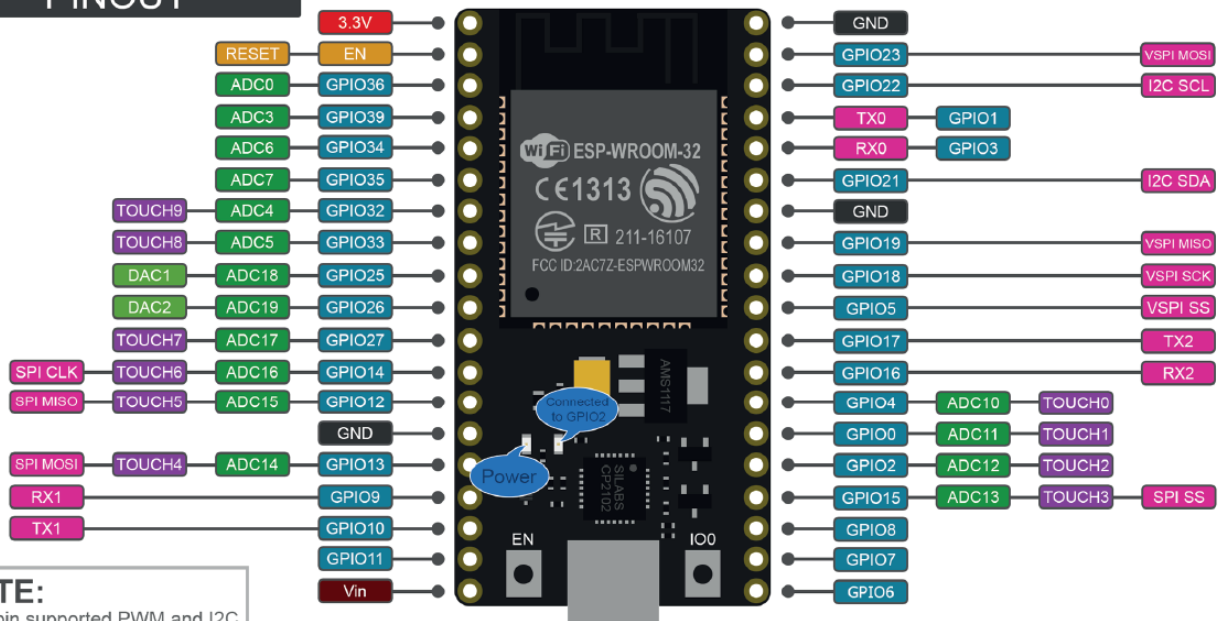
### Features voltage regulator:

- Input voltage: 15 – 30V DC
- Output voltage: 5V / 1.2A DC

### Compatibility :

#### NodeMCU-32S

##### PINOUT

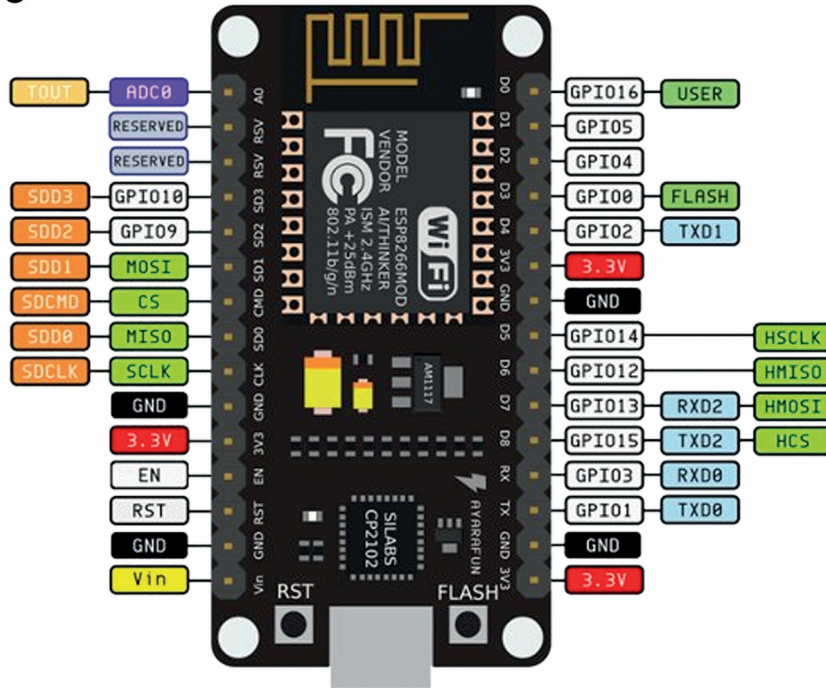


**NOTE:**  
All pin supported PWM and I2C  
Pin current 6mA (Max. 12mA)

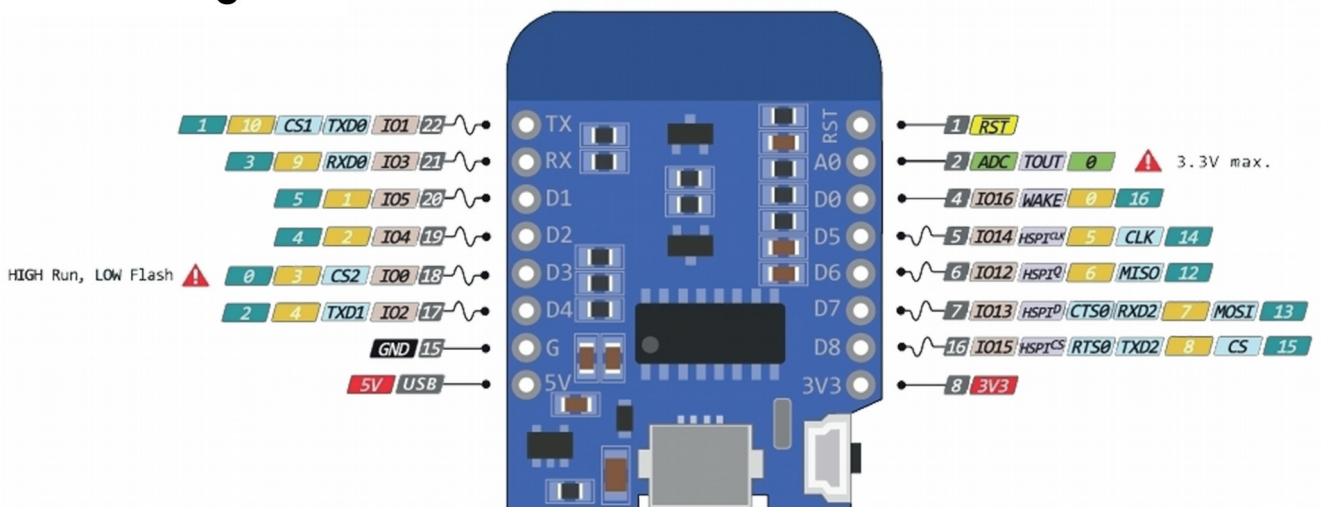
# ArduiTouch ESP

Top wall enclosure with touchscreen for ESP32 & ESP8266

## NodeMCU LUA Amica V2 Pinout Diagram



## D1 Mini Pinout Diagram



# ArduiTouch ESP

## Top wall enclosure with touchscreen for ESP32 & ESP8266

---

### Part number table:

Part-No.	Version	Features
ARTHEB	Basic	- milled enclosure - pcb - 2x centipede But without electronic parts & touchscreen
ARTHES	Standard	- milled enclosure - pcb - all electronic parts But without touchscreen
ARTHEX	Extended	- milled enclosure - pcb - all electronic parts - touchscreen

### Applications :

- Home automation
- Door access and door control
- HVAC applications
- Internet of Things (IoT)
- Intelligent wireless light switch
- Monitoring of sensor data
- Metering
- Intruder alarm systems

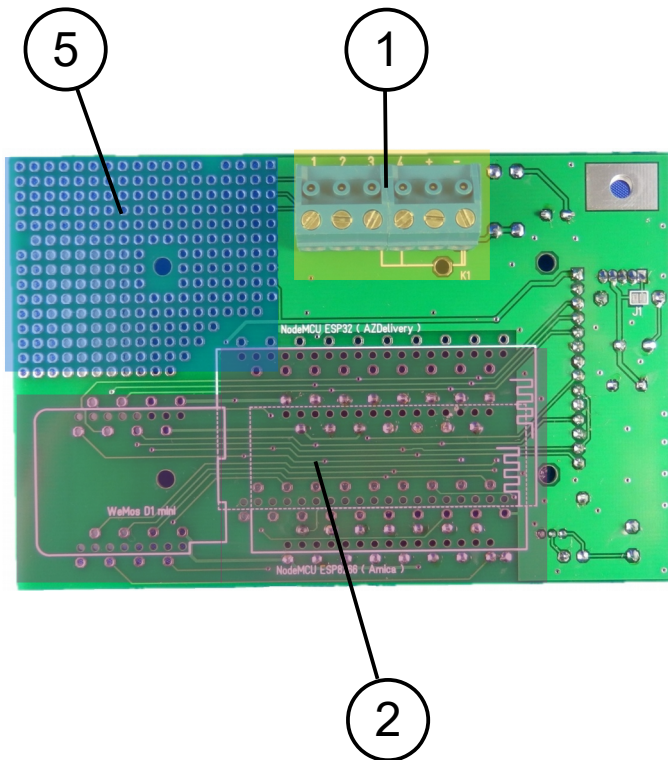


# ArduiTouch ESP

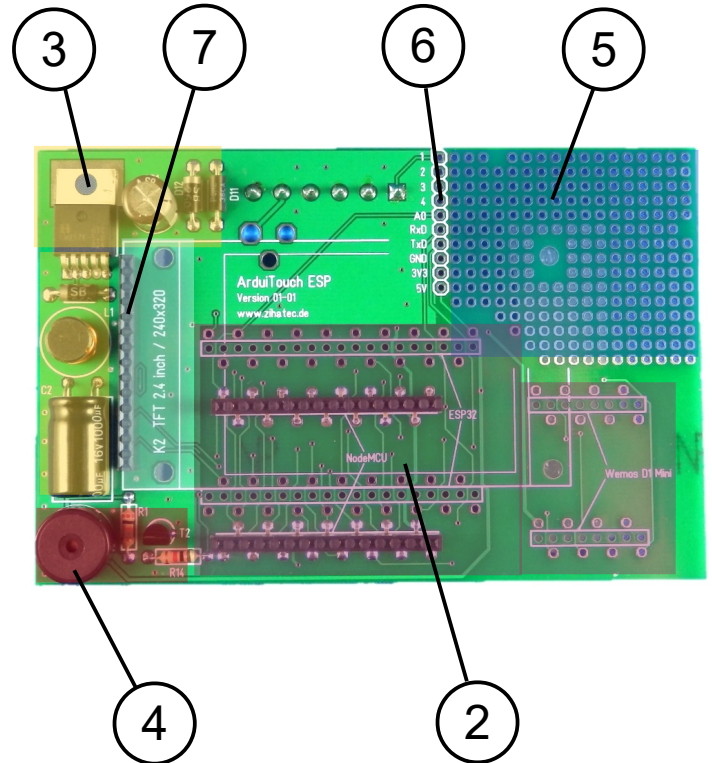
## Top wall enclosure with touchscreen for ESP32 & ESP8266

### Features main board:

Backside



Frontside



- ① Terminal for power supply & proto board
- ② Plug-in slots for ESP modules
- ③ Voltage regulator (9..35V Vin / 5V Vout)
- ④ Piezo beeper
- ⑤ Breadboard / proto board area
- ⑥ GPIO pins for proto board
- ⑦ Header for touch screen